

# 35mm Joystick Cartridges

**RM35AR  
RM35AC**



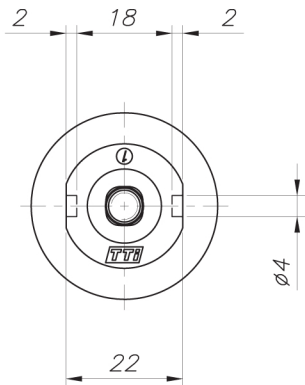
**RM35BR  
RM35BC**



**RM35CR  
RM35CC**

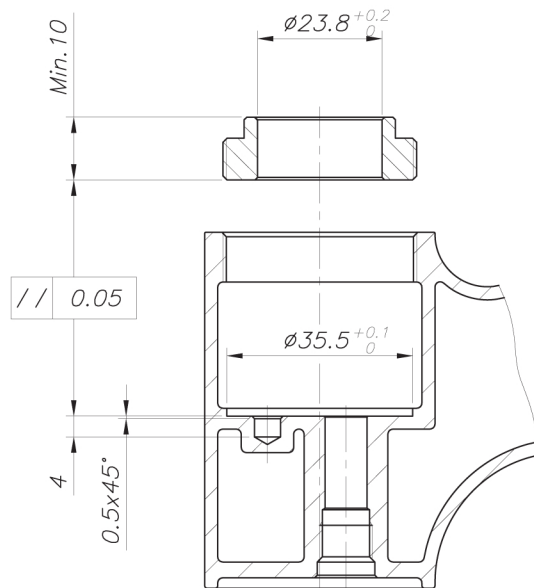
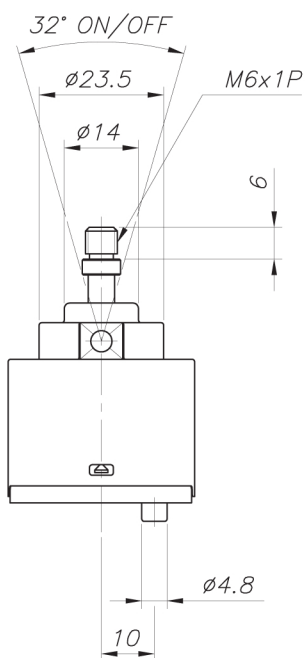
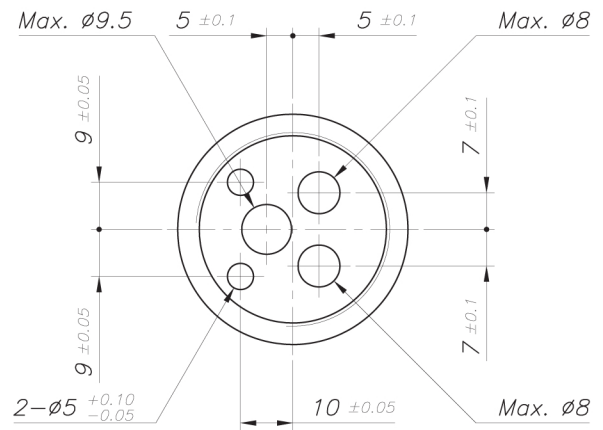
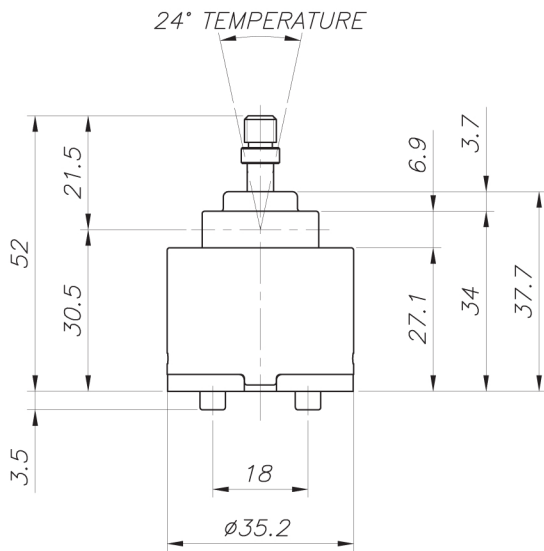


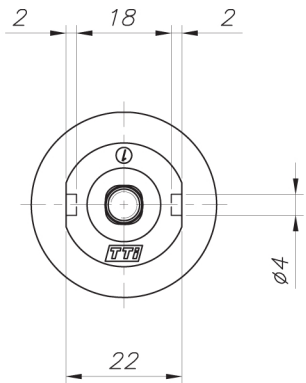




## RM35B

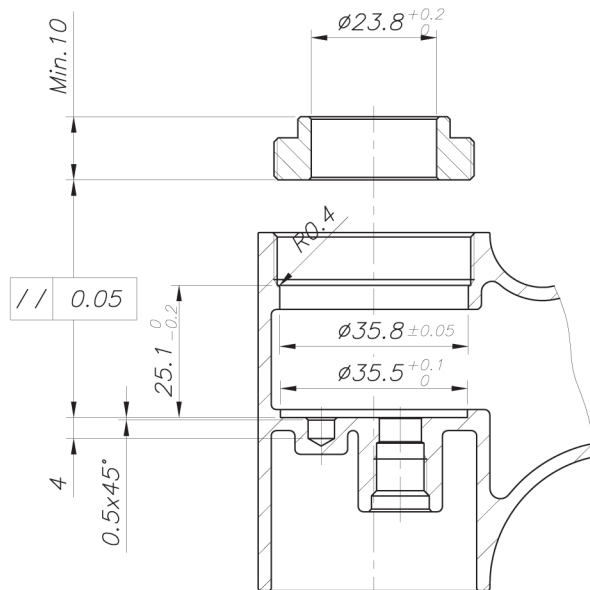
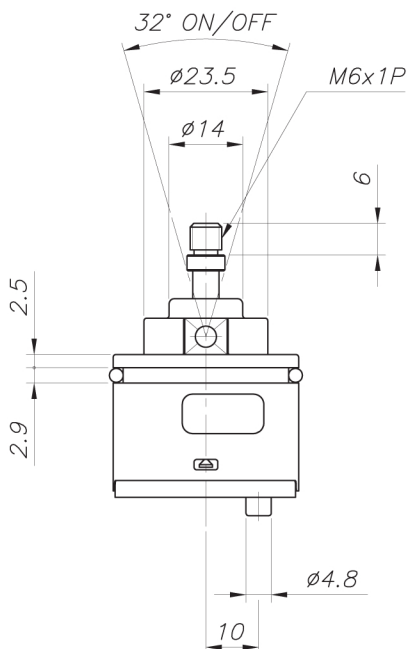
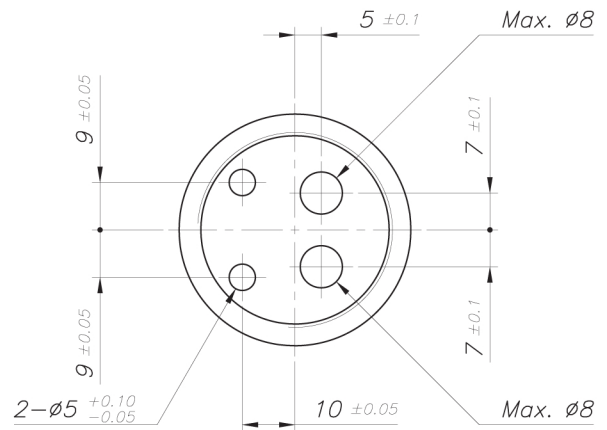
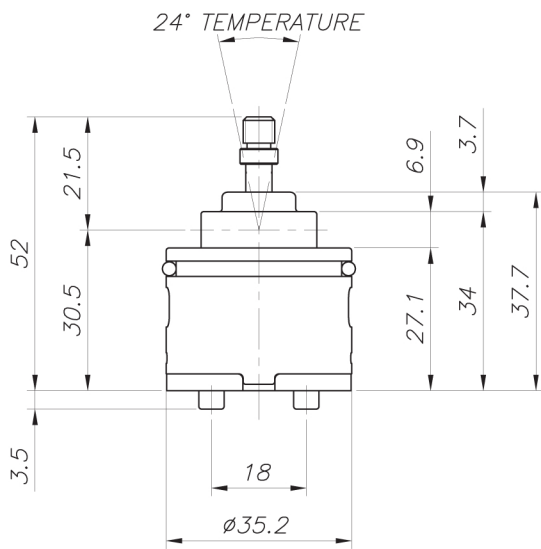
**Note**  
To be used with strainers





**RM35C**

**Note**  
To be used with strainers

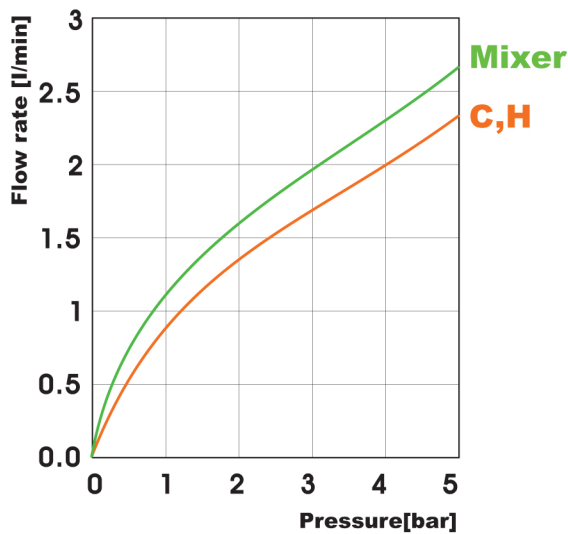




### Cartridge Data

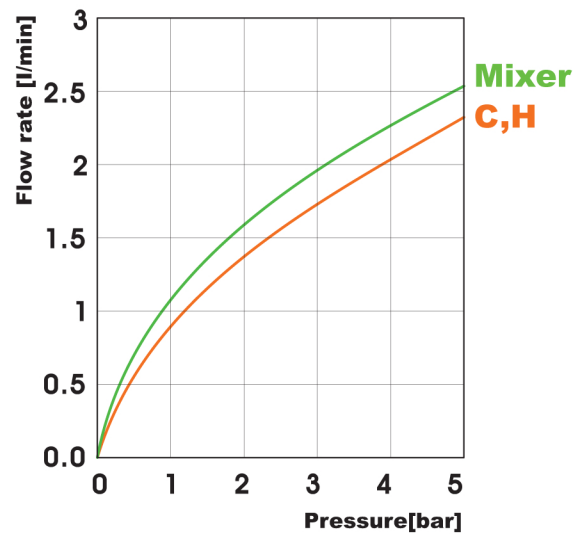
<b>On-Off angle</b>	32°
<b>Temperature angle</b>	24°
<b>Working torque</b>	Max. 0.5Kg-Cm
<b>Pressure resistance</b>	min. 35bars
<b>Working pressure</b>	max. 7bars
<b>Max. temperature</b>	90°C
<b>Max. noise</b>	19db (A) at 3bars
<b>Endurance test</b>	min. 500,000 cycles
<b>Cartridge tightening torque</b>	100 ~ 110Kg-Cm

### Flow Rate Curves



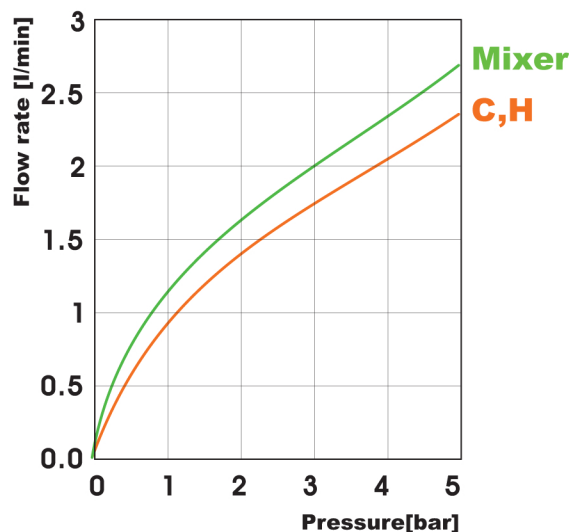
**RM35A**

### Flow Rate Curves



**RM35B**

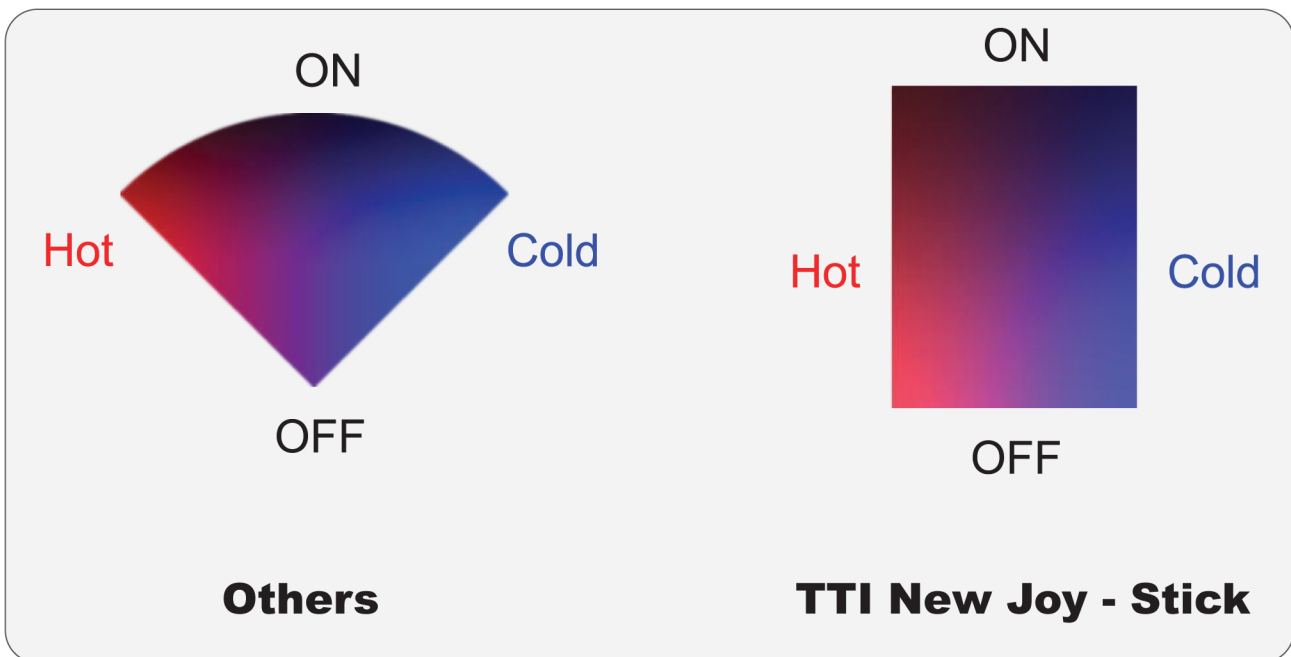
### Flow Rate Curves



**RM35C**

## 1. Rectangular Movement

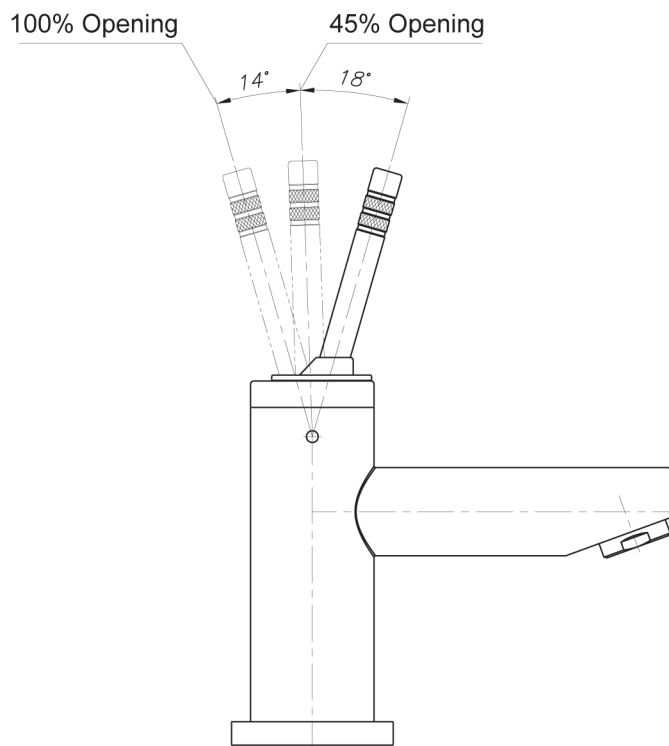
Easier and more convenient than single handle faucets.



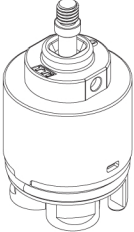
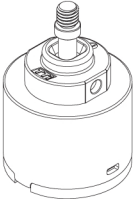
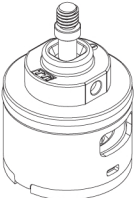
## 2. Variety of Faucet Design

Except Joy-Stick faucets, many other types of faucet can be developed ; two knobs type, sliding handle type and etc.

## Two Steps for Water Saving



- **Two Opening Steps**  
1st 9 l/min (3bars)  
2nd 20 l/min (3bars)

	<b>Standard</b>		<b>Two Steps</b>	
	Rubber Type	Ceramic Disk Type	Rubber Type	Ceramic Disk Type
	RM35AR	RM35AC	RM35ARS	RM35ACS
	RM35BR	RM35BC	RM35BRS	RM35BCS
	RM35CR	RM35CC	RM35CRS	RM35CCS